



MICRO SWITCH

FREEPORT, ILLINOIS, U.S.A.
A DIVISION OF HONEYWELL

FED. MFG. CODE 91929

SWITCH - BASIC

CATALOG LISTING

V3-115

CKB 1500

5

V3-115

M

DRAWING NUMBER

ISSUE

89

89

REPLACES

RELEASE NO.

CHECK

65

65

65

66

66

67

67

68

68

69

69

70

70

71

71

72

72

73

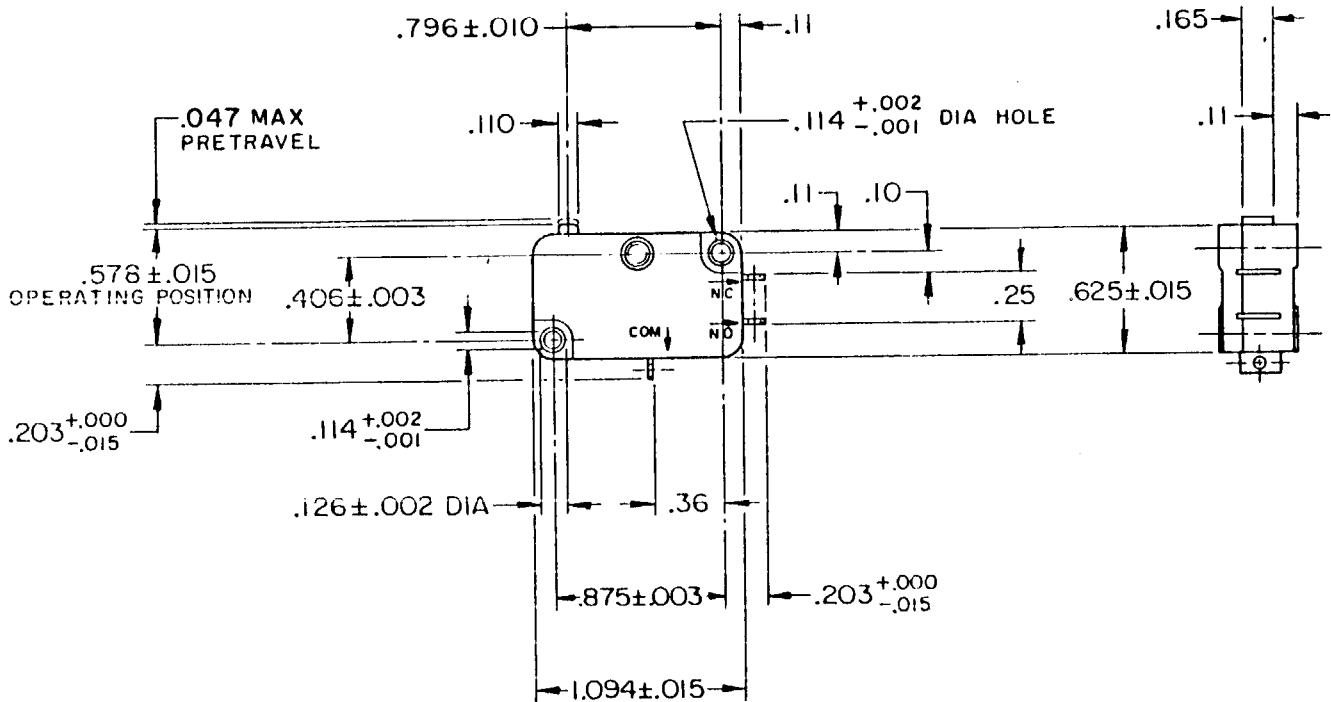
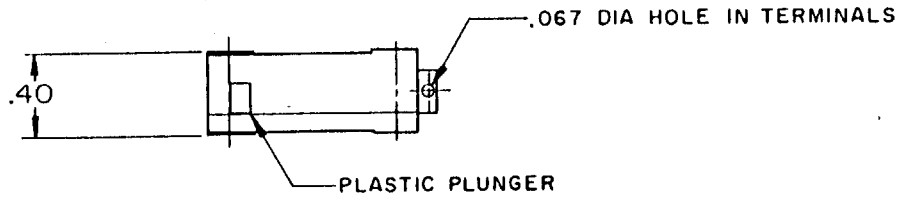
73

74

74

75

75



NOTE -
I - TERMINALS ARE PLATED FOR SOLDERING

THIS DRAWING COVERS A PROPRIETARY ITEM AND IS THE PROPERTY OF MICRO SWITCH, A DIVISION OF HONEYWELL. THIS DRAWING IS NOT TO BE COPIED OR USED WITHOUT THE APPROVAL OF MICRO SWITCH.

CHARACTERISTICS	ELECTRICAL DATA	SCALE FULL
OPERATING FORCE - - - - - 8 OZ MAX	CONTACT ARRANGEMENT SPDT	DO NOT SCALE PRINT
RELEASE FORCE - - - - - 2 OZ MIN	- L156 - 11A-1/3HP-125-250-277 VAC 1/2A-125 VDC; 1/4A-250 VDC 4A-125 VAC "L" 	UNLESS OTHERWISE NOTED
DIFFERENTIAL TRAVEL - - - - -.006 - .016		DIMENSIONS ARE IN INCHES
OVERTRAVEL - - - - -.040 MIN		TOLERANCES ARE:
FREE POSITION - - - - -.625 MAX		ONE PLACE (.0) ±.030
RELEASE TRAVEL - - - - -.007 MIN		TWO PLACE (.00) ±.015
		THREE PLACE (.000) ±.005
		ANGLES ±
		WEIGHT .016 LB

REVISIONS

A	CO20189	WE G	28 JUNE 65
B	CO21900	OM W	04 OCT 66
C	CO31748	S D	3 APR 73
D	59921		
E	CO74479	SMA	29 SEPT 86
		KDR	15 APR 93

65 65 65 66 66 67 67 68 68 69 69 70 70 71 71 72 72 73 73 74 74 75 75

WEG 28 JUNE 65

DRAWN

50378